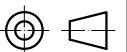
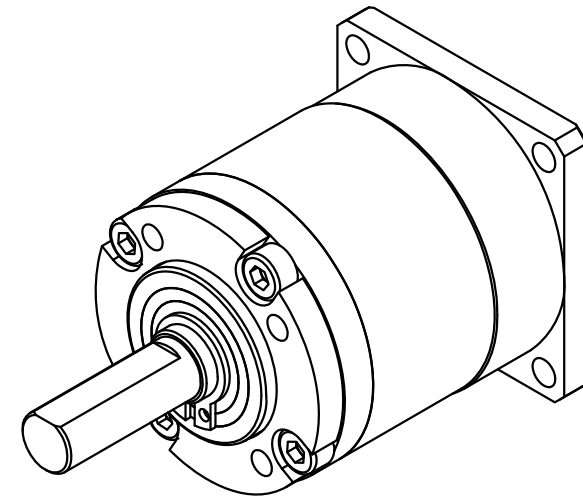


SPECIFICATION	CONNECTION	VALUE
GEAR RATIO		50
EFFICIENCY		94.00%
BACKLASH@NO-LOAD(arcmin)		$\leq 20$
MAX.PERMISSIBLE TORQUE(Nm)[lb-in]		3.00[26.55]
MOMENT PERMISSIBLE TORQUE(Nm)[lb-in]		6.00[53.10]
SHAFT MAXIMUM AXIAL LOAD(N)		100
SHAFT MAXIMUM RADIAL LOAD(N)		300
GEARBOX MATCHING MOTOR'S INPUT SHAFT LENGTH (mm)		$9.5 \pm 0.5$
RATED INPUT SPEED(RPM)		1000
MAX. INPUT SPEED(RPM)		2000
NOISE(dB)		$\leq 55$
WATERPROOF RATING		IP54
LIFE(h)		20000
WORKING TEMPERATURE		$-20^{\circ}\text{C} \sim 150^{\circ}\text{C} [-4^{\circ}\text{F} \sim 302^{\circ}\text{F}]$



	APVD	1.19.2023
	CHKD	
1:1	DRN	
SCALE	SIGNATURE	DATE

**PLANETARY GEARBOX**

**TQEGS11-G50**