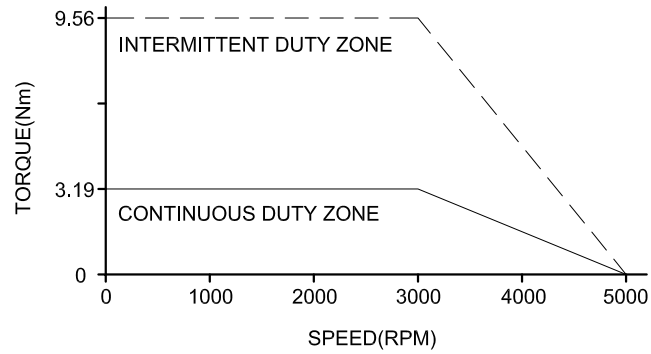
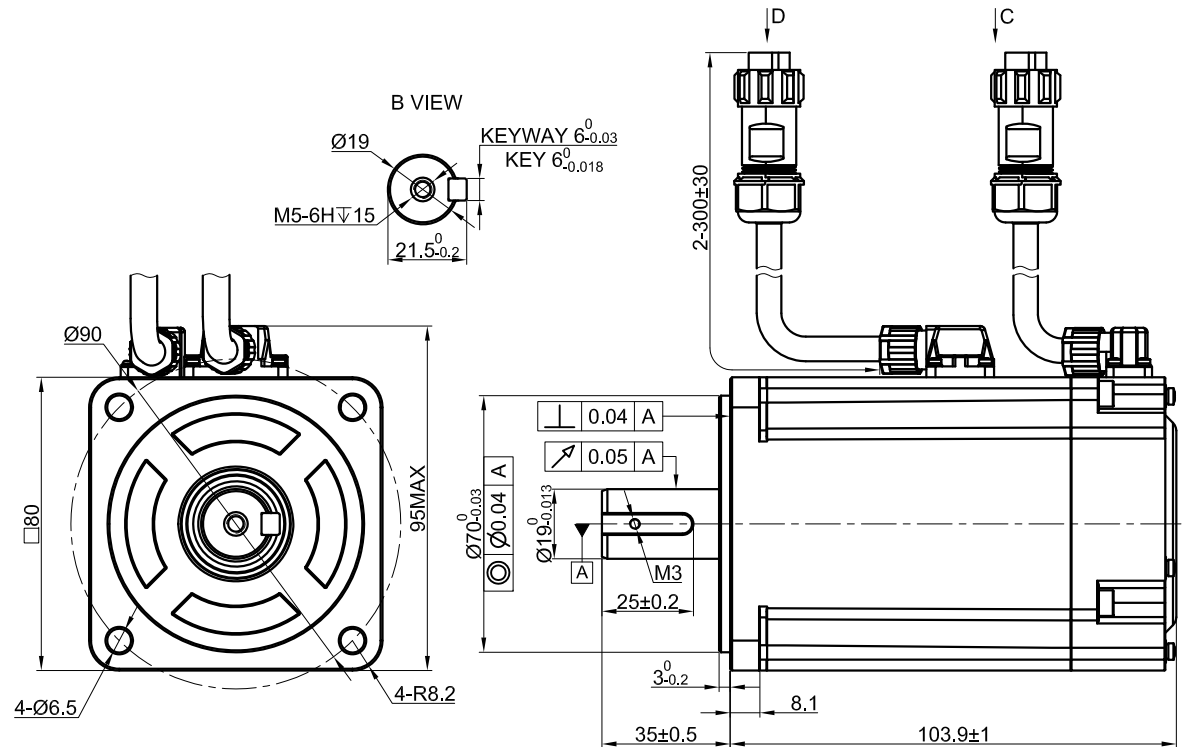


SPEED - TORQUE CURVE



SPECIFICATION	VALUE
RATED VOLTAGE(VAC)	220
RATED POWER(W)	1000
RATED TORQUE(Nm)	3.19
PEAK TORQUE(Nm)	9.56
RATED SPEED(RPM)	3000
PEAK SPEED(RPM)	5000
RATED CURRENT(Amp)	5.7
PEAK CURRENT(Amp)	17.7
TORQUE CONST(Nm/Amp)	0.56
BACK EMF CONST(V/KRPM)	38.3
RESISTANCE(Ω)	1.08
INDUCTANCE(mH)	5.6
INERTIA(Kg·m <sup>2</sup> ·10 <sup>-4</sup> )	2
POLES	10
ENCODER TYPE	17bit inc
IP RATING	IP65
WEIGHT(KG)	2.8



D	WIRING DETAILS OF POWER CABLE CONNECTOR						
	PIN No.	1	2	3	4	—	—
	DESCRIPTION	U	W	V	PE	—	—
	COLOR	BLU	RED	BLK	YEL/GRE	—	—

C	WIRING DETAILS OF ENCODER CABLE CONNECTOR							
	PIN No.	1	2	3	4	5	6	7
	DESCRIPTION	PE	5V	0V	SD+	SD-	—	—
	COLOR	SHIELD	WHT	BLK	BLU	PUL	—	—

THE PART NUMBER OF CABLE FOR T6M80-1000H2A3-M17S MOTOR	
POWER CABLE	CMST1M5
ENCODER CABLE	CEST1M5

	APVD		6.10.2022
	CHKD		
2:1	DRN		
SCALE	SIGNATURE		DATE

**AC SERVO MOTOR**

**T6M80-1000H2A3-M17S**