



◆ Feature

HKT22 is a 2-channel low cost optical hollow shaft encoder which can be fixed easily on shafts of motors. HKT22 has 2 square-wave outputs which are 90-degree phase shifted for counting and direction information.

◆ Specifications

Electrical Specifications

Output Wave	Square Wave
Current Consumption	≤50mA
Output Current	2~12mA
Response Frequency	0~30KHz
Output Phase Difference	90° ± 45°
Output Voltage	-0.5V~Vcc
Signal Level	V _H ≥85%V _{cc} , V _L ≤0.3V

Mechanical Specifications

Rotor Inertia Of Code-wheel	4.0x10 ⁻⁸ Kgm ²
Shock Resistance	980m/s ² , 6ms, 2 times each on XYZ
Vibration Proof	50m/s ² , 10~200Hz, 2 hours each on XYZ
Working Life	MTBF≥50000h (+25°C, 2000rpm)
Weight	10g (with 0.5m cable)

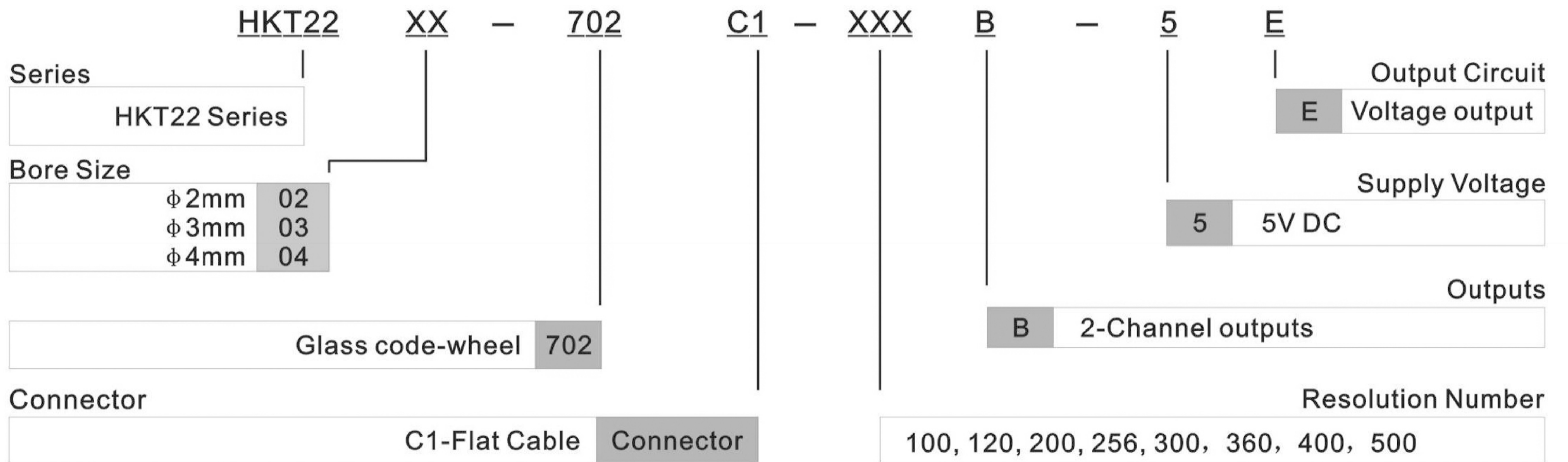
Environmental Specifications

Working Humidity	30~85% (no condensation)
Storage Temperature	-40°C~85°C
Working Temperature	-10°C~85°C

◆ Terminal Assignment

Flat Cable (from the colored end)	1	2	3	4	5
Voltage Output	0V	N.C	Ch B	+5V	Ch A

◆ Ordering Information



◆ Dimension Diagram

