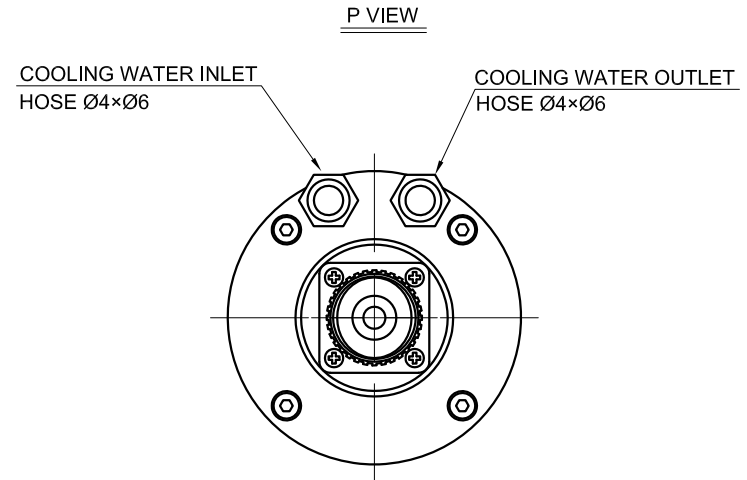


SPECIFICATION	VALUE
POWER (Kw)	2.2
VOLTAGE (VAC)	220
RATED CURRENT (A)	8
MAXIMUM SPEED (RPM)	24000
FREQUENCY (Hz)	400
NUT MODEL	ER20
COLLET (mm)	Ø6、Ø6.35
RUNOUT OFF (mm)	LESS THAN 0.005
BEARINGS	2x7005C(P4 DT) + 1x7002C(P4)
COOLING	WATER COOLED
MATERIAL	STAINLESS STEEL
LUBRICATION	GREASE
WEIGHT (Kg) [lb]	5.25 [11.57]



	mm	APVD		10.5.2019
	UNIT	CHKD		
	2:1	DRN		
	SCALE	SIGNATURE		DATE

SPINDLE MOTOR
GDZ80-2.2B