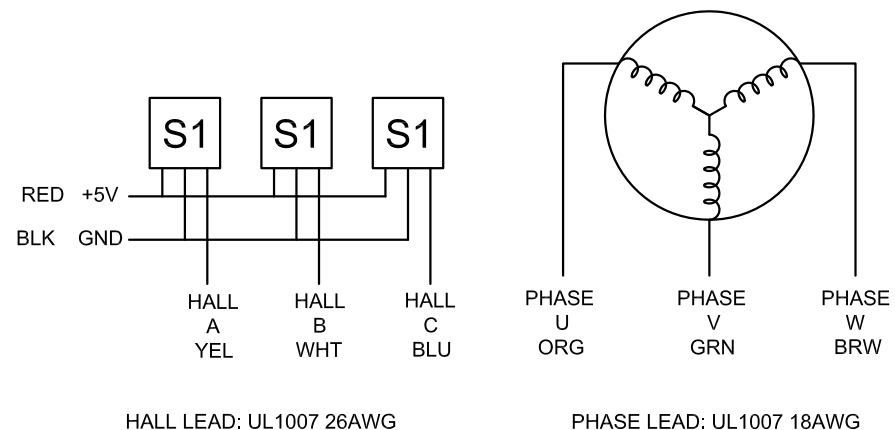


SPECIFICATION	VALUE
NO. of PHASES	3
NO. of POLES	4
RATED VOLTAGE(V)	24
RATED CURRENT(A)	10.4±10%
RATED POWER(W)	172
RATED SPEED w/o GEARBOX(RPM)	3500±10%
RATED TORQUE w/o GEARBOX(mN.m)	470
GEAR RATIO	50
EFFICIENCY	75.00%REF
MAX.PERMISSIBLE TORQUE(Nm)[lb-in]	20[177.01]
BACKLASH@NO-LOAD(°)	1.6
SENSOR	HALL SENSOR
INSULATION CLASS	CLASS B
INSULATION RESISTANCE	100MΩ MIN @ 500VDC
DIELECTRIC STRENGTH TEST	500VDC for 1 MINUTE
BEARING TYPE	NMB BALL BEARING, C3



	APVD		8.22.2022
	CHKD		
	1.5:1	DRN	
	SCALE	SIGNATURE	DATE

BRUSHLESS DC MOTOR

57BLR70-24-02-HG50