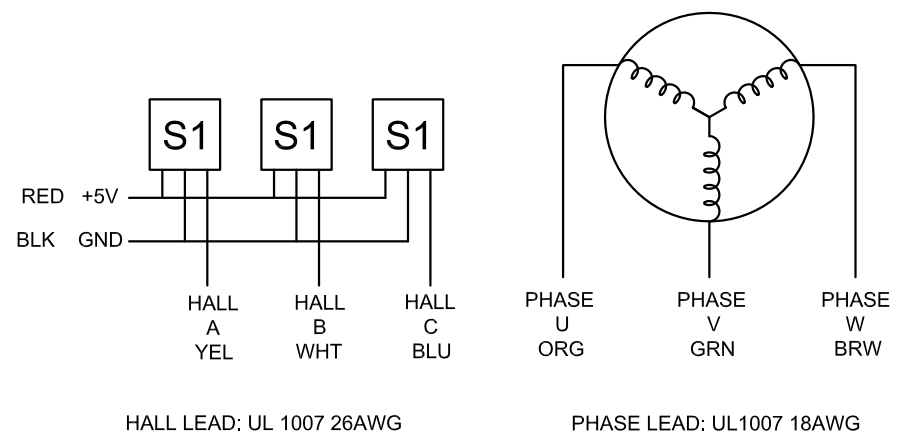


SPECIFICATION	VALUE
NO. of PHASES	3
NO. of POLES	4
RATED VOLTAGE(V)	24
RATED CURRENT(A)	5±10%
RATED POWER(W)	84
RATED SPEED w/o GEARBOX(RPM)	3500±10%
RATED TORQUE w/o GEARBOX(mN.m)	230
GEAR RATIO	100
EFFICIENCY	65.00%
MAX.PERMISSIBLE TORQUE(Nm)[lb-in]	25[221.27]
BACKLASH@NO-LOAD(°)	2.4
SENSOR	HALL SENSOR
INSULATION CLASS	CLASS B
INSULATION RESISTANCE	100MΩ MIN @ 500VDC
DIELECTRIC STRENGTH TEST	500VAC for 1 MINUTE
BEARING TYPE	NMB BALL BEARING, C3



SCALE	APVD		8.22.2022	<b>BRUSHLESS DC MOTOR</b>
	CHKD			
	1.5:1	DRN		<b>57BLR50-24-01-HG100</b>
	SIGNATURE	DATE		