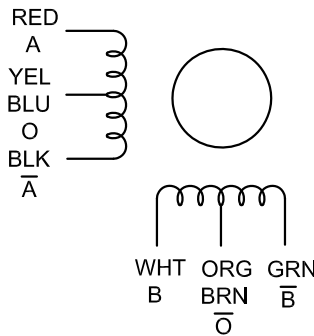
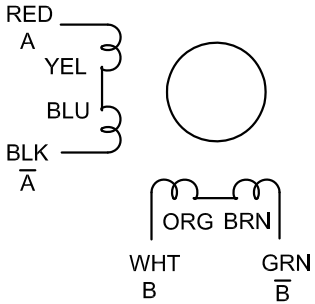


SPECIFICATION	CONNECTION	UNIPOLAR	BIPOLAR (SERIAL)	BIPOLAR (PARALLEL)
VOTAGE(VOC)		4.20	5.94	2.96
AMPS/PHASE		3.00	2.12	4.24
RESISTANCE/PHASE(Ohms)@25°C		1.40±10%	2.80±10%	0.70±10%
INDUCTANCE/PHASE(mH)@1KHz		3.00±20%	12.00±20%	3.00±20%
HOLDING TORQUE(Nm)[lb-in]		2.80[24.78]	4.00[35.40]	4.00[35.40]
STEP ANGLE(°)		1.80		
STEP ACCURACY(NON-ACCUM)		±5.00%		
ROTOR INERTIA(g-cm <sup>2</sup> )		980.00		
WEIGHT(Kg)[lb]		1.60[3.53]		
TEMPERATURE RISE:MAX.80°C (MOTOR STANDSTILL;FOR 2PHASE ENERGIZED )				
AMBIENT TEMPERATURE -10°C~50°C[14°F~122°F]				
INSULATION RESISTANCE 100 Mohm (UNDER NORMAL TEMPERATURE AND HUMIDITY )				
INSULATION CLASS B 130°C[266°F]				
DIELECTRIC STRENGTH 500VAC FOR 1MIN.(BETWEEN THE MOTOR COILS AND THE MOTOR CASE )				
AMBIENT HUMIDITY MAX.85%(NO CONDENSATION)				

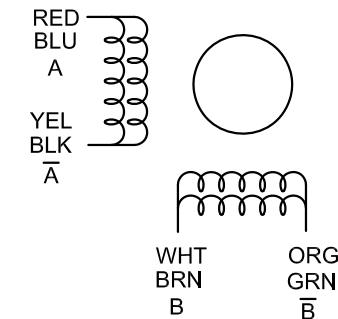
UNIPOLAR



BIPOLAR SERIES



BIPOLAR PARALLEL



	APVD		
	CHKD		
1:1.5	DRN		
SCALE	SIGNATURE	DATE	

**STEPPER MOTOR**

**24HS39-3008D**