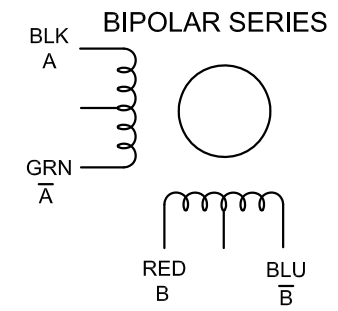
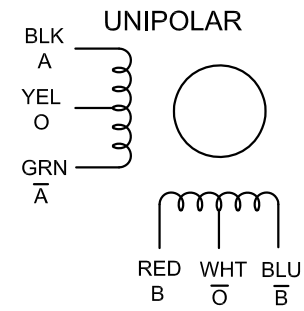


SPECIFICATION	CONNECTION	UNIPOLAR	BIPOLAR (SERIAL)
VOTAGE(VOC)		7.40	10.50
AMPS/PHASE		1.00	0.71
RESISTANCE/PHASE(Ohms)@25°C		7.40±10%	14.80±10%
INDUCTANCE/PHASE(mH)@1KHz		10.00±20%	40.00±20%
HOLDING TORQUE(Nm)[lb-in]		0.90[7.97]	1.28[11.33]
STEP ANGLE(°)		1.80	
STEP ACCURACY(NON-ACCUM)		±5.00%	
ROTOR INERTIA(g-cm <sup>2</sup> )		300.00	
WEIGHT(Kg)[lb]		0.70[1.54]	
TEMPERATURE RISE:MAX.80°C (MOTOR STANDSTILL;FOR 2PHASE ENERGIZED )			
AMBIENT TEMPERATURE -10°C~50°C[14°F~122°F]			
INSULATION RESISTANCE 100 Mohm (UNDER NORMAL TEMPERATURE AND HUMIDITY )			
INSULATION CLASS B 130°C[266°F]			
DIELECTRIC STRENGTH 500VAC FOR 1MIN.(BETWEEN THE MOTOR COILS AND THE MOTOR CASE )			
AMBIENT HUMIDITY MAX.85%(NO CONDENSATION)			

STEP	A	B	$\bar{A}$	$\bar{B}$	O( $\bar{O}$ )	CW
1	+	+			+	
2		+	+		+	
3			+	+	+	
4	+			+	+	
1	+	+			+	



	APVD		
	CHKD		
1:1.5	DRN		
SCALE	SIGNATURE	DATE	

**STEPPER MOTOR**

**23HS22-1006D**