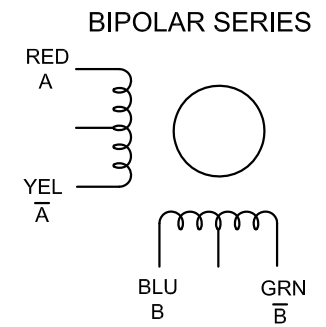
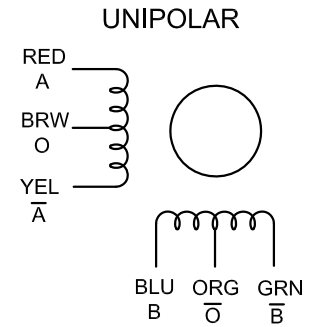


| SPECIFICATION   | CONNECTION | UNIPOLAR   |
|---|------------|------------|
| VOTAGE(VOC)   |            | 10.00      |
| AMPS/PHASE  |            | 0.40       |
| RESISTANCE/PHASE(Ohms)@25°C   |            | 25.00±10%  |
| INDUCTANCE/PHASE(mH)@1KHz   |            | 17.00±20%  |
| HOLDING TORQUE(Nm)[lb-in]   |            | 0.10[0.89] |
| STEP ANGLE(°)   |            | 1.80       |
| STEP ACCURACY(NON-ACCUM)  |            | ±5.00%     |
| ROTOR INERTIA(g-cm <sup>2</sup> )   |            | 23.00      |
| WEIGHT(Kg)[lb]  |            | 0.17[0.37] |
| TEMPERATURE RISE:MAX.80°C ( MOTOR STANDSTILL;FOR 2PHASE ENERGIZED )               |            |            |
| AMBIENT TEMPERATURE -10°C~50°C[14°F~122°F]  |            |            |
| INSULATION RESISTANCE 100 Mohm ( UNDER NORMAL TEMPERATURE AND HUMIDITY )          |            |            |
| INSULATION CLASS B 130°C[266°F]   |            |            |
| DIELECTRIC STRENGTH 500VAC FOR 1MIN.(BETWEEN THE MOTOR COILS AND THE MOTOR CASE ) |            |            |
| AMBIENT HUMIDITY MAX.85%(NO CONDENSATION)   |            |            |

| STEP | A | B | $\bar{A}$ | $\bar{B}$ | O( $\bar{O}$ ) | CW |
|------|---|---|-----------|-----------|----------------|----|
| 1    | + | + |           |           | +              |    |
| 2    |   | + | +         |           | +              |    |
| 3    |   |   | +         | +         | +              |    |
| 4    | + |   |           | +         | +              |    |
| 1    | + | + |           |           | +              |    |



|       |           |      |  |
|-------|-----------|------|--|
|       | APVD      |      |  |
|       | CHKD      |      |  |
| 1.5:1 | DRN       |      |  |
| SCALE | SIGNATURE | DATE |  |

**STEPPER MOTOR**

**14HS13-0406S**